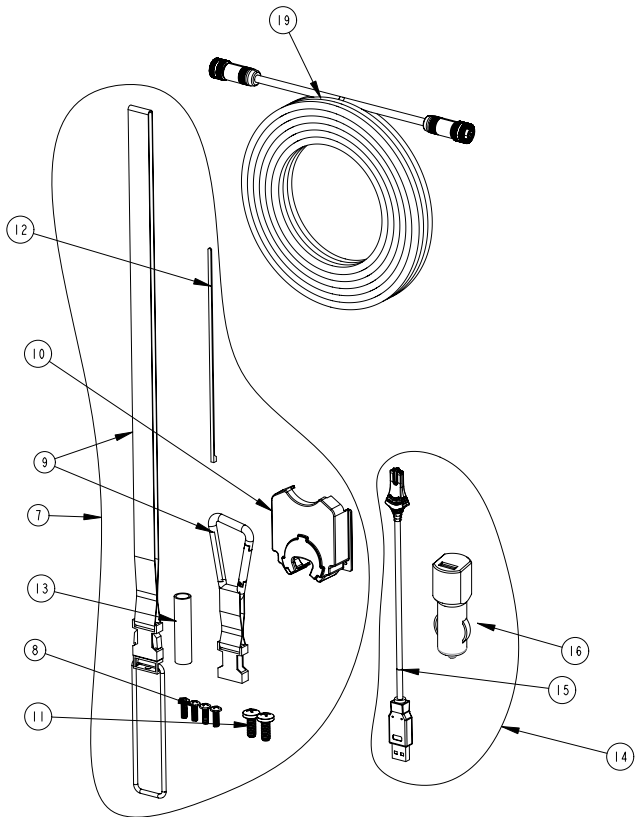


IPILOT® LINK POUR POWERDRIVE V2 & RIPTIDE SP



iPilot LINK



ITEM	QTY	PART NUMBER	DESCRIPTION
1	1	2990282	HEAD ASSY, V2, IP2 (POWERDRIVE)
	1	2990283	HEAD ASSY, SP, IP2 (RIPTIDE)
2	1	2994180	REMOTE ASSY, i-PILOT LINK
3	1	2370712	BATTERY, LIPO PACK
4	1	2374637	O-RING, BATTERY SEAL
5	1	2376421	DOOR, BATTERY
6	4	2383442	SCREW-3MM X .5 PPH MACHINE
7	1	2994908	BAG ASSY, i-PILOT LINK, V2
8	4	2372100	SCREW-#8-18 X 5/8 THD* (SS)
9	1	2370817	LANYARD, RMT W/CARABINER
10	1	2376716	PLUG, STRAIN RELIEF V2/SP
11	2	2332104	SCREW-1/4-20 X 5/8 S/S
12	5	2376312	TIE WRAP, BLACK, UV RESIST.NYLON
13	4	2375403	HEATSHRINK .375X2 ADHV LINED
14	1	2994909	BAG ASSY, i-PILOT LINK, POWER
15	1	2373241	CABLE, USB REMOTE CHARGER
16	1	2375900	ADAPTER, USB POWER PORT
17	1	2377156	MANUAL-CD, i-PILOT LINK
18	1	2377155	MANUAL QCK REF, i-PILOT LINK
19	1	490389-1	CABLE, ETH (M12-M-M12-F, 30'

